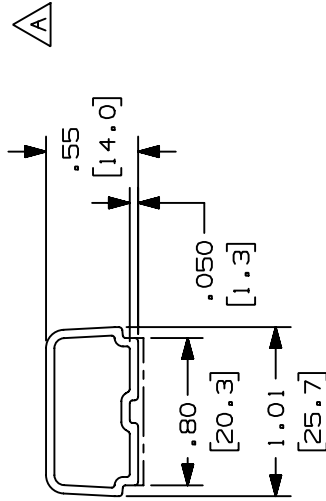


THIS COPY IS PROVIDED ON A RESTRICTED BASIS AND IS NOT TO BE USED IN ANY WAY DETRIMENTAL TO THE INTERESTS OF PANDUIT CORP.

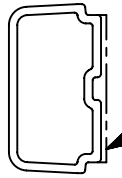


PART NAME	PANDUIT PART NO. (** SEE NOTE 1)	LENGTH IN. (MM)	STATIC LOAD (SEE NOTE 2)	APPROXIMATE WEIGHT
SOLID WALL DUCT	LD55**10-A	120.00 ±.12 (3048.0 ±3.0)	.43 LB/IN (7.7 g/mm)	.082 LB/FT (.112 g/mm)

Ⓐ

**NOTES:**

1. SEE CURRENT CATALOG FOR ADDITIONAL PART NUMBER SUFFIXES TO INDICATE COLORS AND OR PACKAGE QUANTITY.
2. PART IS DESIGNED TO SUPPORT MAXIMUM WEIGHT ON A CLEAN, DRY, SMOOTH SURFACE.
3. TO APPLY PART:
  - a. REMOVE PROTECTIVE LINER.
  - b. PLACE PART IN DESIRED LOCATION.
  - c. APPLY PRESSURE TO FLAT SURFACE OF PART.
4. DIMENSIONS IN PARENTHESES ARE IN METRIC.
5. NO WARRANTY, EXPRESSED OR IMPLIED, IS MADE BY PANDUIT WITH RESPECT TO ADHESIVE BOND PERFORMANCE. THE CONDITIONS UNDER WHICH THESE RACEWAYS MAY BE APPLIED AND/OR THE SURFACE TO WHICH THEY MAY BE APPLIED ARE BEYOND PANDUIT'S CONTROL.



ADHESIVE BACK PRESSURE SENSITIVE FOAM TAPE .040(1.0) THICK WITH PROTECTIVE LINER.

CAD FILENAME/LAYERS D35541CN\_SOLID\_LD55\_02.PRT

PANDUIT

CORP. TINLEY PARK, ILLINOIS

SOLID WALL DUCT (LD55)  
CUSTOMER DRAWING

2	03-08-04	JHEP	RGRO	C. REMOVED PART NUMBER LD55**2-A	35541-40	RGRO	RGRO	UNLESS OTHERWISE SPECIFIED, DIMENSIONAL TOLERANCES ARE: (.X) ± (.XXX) ±.010 (.4) IN INCHES, THIRD ANGLE PROJECTION.	UNLESS OTHERWISE SPECIFIED, ALL DIMENSIONS ARE GIVEN IN INCHES, THIRD ANGLE PROJECTION.
1	09-17-98	PM	HIW	B. REVISE NOTES A. REVISE CHART: ADD 2M LENGTH	35541-40	HIW	HIW	SCALE NONE	DWG A
R	09-24-98	JBA	CEF	RELEASED TO PRODUCTION	35541-40	CEF	CEF	MAT'L: RIGID PVC (POLYVINYL CHLORIDE)	DRAWING NO. 35541-40
REV	DATE	BY	CHK	DESCRIPTION	ECN	CHK	SUP	CHECKED BY CEF	SIZE A